

PROJ. NO.  
 DRAWING INFORMATION  
 DATE  
 DRAWN BY  
 CHECKED BY  
 APPR. BY  
 REV. BY  
 REV. DATE

NOTES: UNLESS OTHERWISE SPECIFIED.  
 (CONT. FROM TITLE BLOCK)

1. APPLY A LIGHT COAT OF ITEM 12 TO O-RINGS PRIOR TO ASSEMBLY.
2. UNLESS OTHERWISE SPECIFIED ON WORK ORDER USE 32A-001, SEE TABLE 1 FOR LAMP OPTIONS.
3. UNLESS OTHERWISE SPECIFIED ON WORK ORDER 35A-001, SEE TABLE 2 FOR LENS OPTIONS.
4. UNLESS OTHERWISE SPECIFIED ON WORK ORDER USE 44A-003, SEE TABLE 3 FOR MOUNTING OPTIONS.
5. PRESSURE RATING: 4500PSI (10K FSW).
6. SOME HIDDEN LINES OMITTED FOR CLARITY.
7. SEE SHEET 3 OF 3 FOR DRAWINGS OF DIFFERENT CONFIGURATIONS.
8. BIRNS PART NUMBER FOR SCREW (23B-092).
9. UNLESS OTHERWISE SPECIFIED ON WORK ORDER USE 54A-002, SEE TABLE 4 FOR REFLECTOR ASSEMBLY OPTIONS.

**2 LAMP OPTIONS**

PART NO.	VOLT/WATT	LIFE (HOURS)
32A-001	3200K, 120V/1000W	150 HR
32A-002	3400K, 120V/600W	50 HR
32A-005	3250K, 120V/600W	75 HR
32A-009	2900K, 120V/400W	
32A-010	2900K, 120V/300W	
32A-016	240V/1000W	150 HR
32A-015	3200K, 240V/800W	
32A-017	240V/600W	75 HR
32A-018	240V/650W	

**TABLE 1**

**3 LENS OPTIONS**

PART NO.	COLOR
35A-001	CLEAR
35A-002	BLUE
35A-003	FROST
35A-004	BLUE FROST

**TABLE 2**

**4 MOUNTING OPTIONS**

PART NO.	DESCRIPTION
44A-003	YOKE ASSY., SNOOPER
44B-008	HANDLE, MACH., SNOOPER/BB II
44B-002	HANDLE, LANTERN

**TABLE 3**

**9 REFLECTOR ASSEMBLY OPTIONS**

PART NO.	DESCRIPTION
54A-002	REFL ASSY., SNP II, 600/1000W
54A-004	REFL ASSY., SNP I/II, 30V/250W

**TABLE 4**

PRODUCTION  
RELEASE

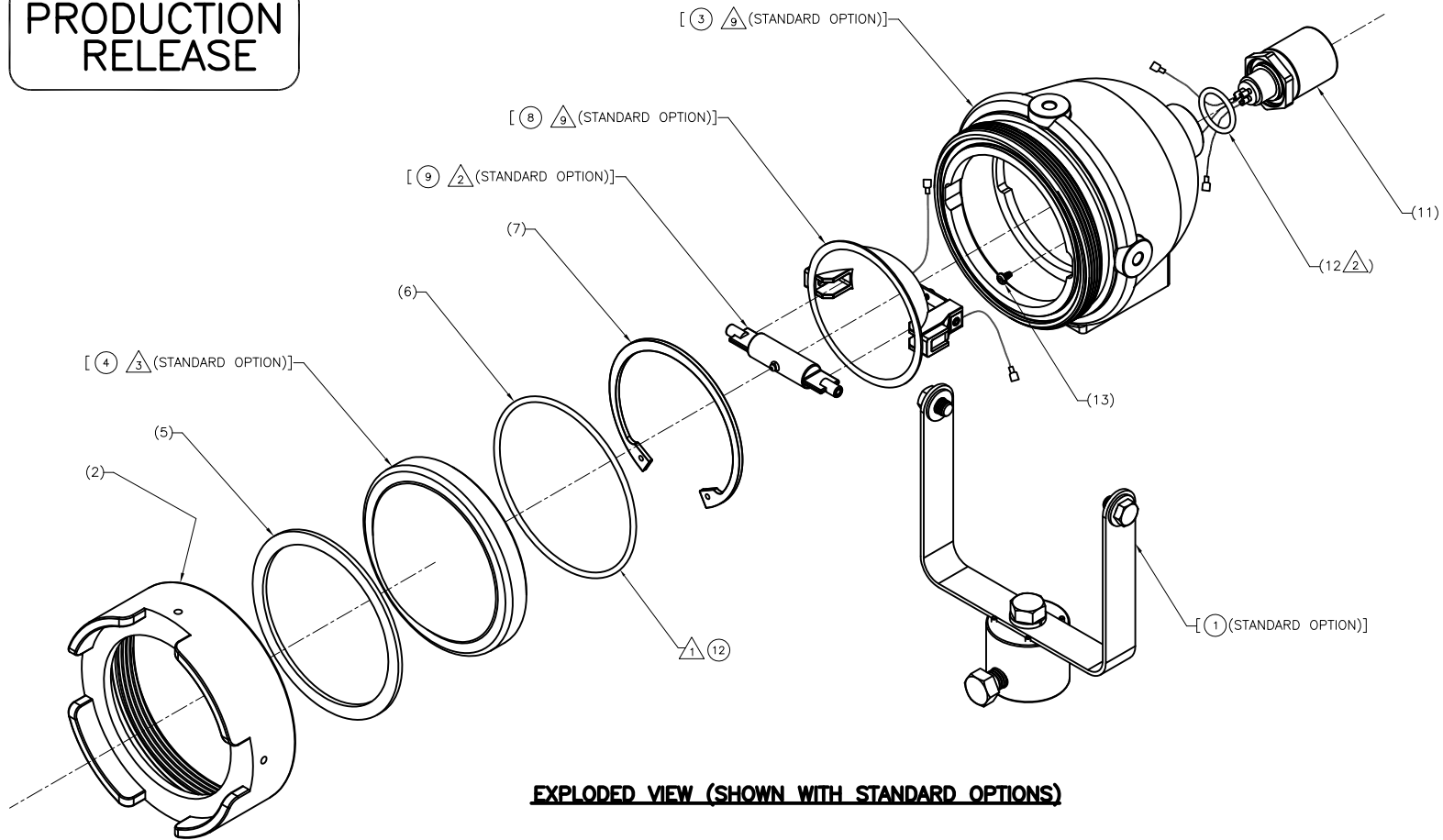
REVISIONS							
ZONE	DRAWN	CHKD	APPR	REV	DESCRIPTION	DATE	ECN
	JB		EFB	A	DWG# WAS 5500-AD & PART NUMBERS UPDATED	861001	
	JB		EFB	B	DELETE PART NUMBER 11-14 ALTERED LETTERING	880201	
	JB		EFB	C	DWG UPDATED	880201	
	JB	JM	EFB	D	REPOSITIONED GROUND WIRE	981116	
	KHW	JM	EFB	E	COMPLETE REDRAW, ADDED NEW CASTING	021031	
	KHW	SE	KG	F	ADD REFLECTOR ASSEMBLY OPTIONS, ADD NOTE 9	080627	
	KHW	SE	JDA	G	ADDED 4TH SHEET (EXPLODED VIEW), UPDATE PARTS LIST, REVISED NOTES 2,3,4,9, ADDED BUBBLE 12 & DELTA 1 ON SHEET 2 OF 4 AND ADDED LAMP LIFE COLUMN ON TABLE LAMP OPTIONS		000395
	KHW	KG	H		WAS: 54A-009 IS: 54A-004	10/07/02	000685

		1	23B-015	PAN SLOT, 6-32 X 3/16	S.S. 18-8	13
	AR		52K-005	GREASE	FOOD GRADE	12
		1	BEM3P-C2	BEM3P-C2 CONNECTOR	GRE COSMIC E-484	11
		1	59A-002	O-RING, 2-213	BUNA 70	10
2		1		LAMP, DXW, 120V/1000W	QUARTZ	9
9		1		REFLECTOR ASSY., SNOOPER	ALLUMINUM 3002.0	8
		1	56B-001	SNAP-RING, N5000-400-H	S.S. PH15-7 MO.	7
		1	59A-001	O-RING, 2-246	BUNA 70	6
		1	59B-001	LENS GASKET	BUNA 70	5
3		1		LENS	BOROSILICATE	4
		1	28A-001	HOUSING, SNOOPER W/ OUT GRIP	ALUMINUM, ASTM356-T6	3
		1	56A-001	LENS RING, SNOOPER	ALUMINUM, ASTM356-T6	2
4		1		MOUNT	304 S.S.	1

QUANTITY	CAGE CODE	PART OR IDENTIFYING NO.	NOMENCLATURE OR DESCRIPTION	MATERIAL SPECIFICATION	ZONE	ITEM NO.
PARTS LIST						
UNLESS OTHERWISE SPECIFIED DIMENSIONS ARE IN INCHES AND PER ASME Y14.5-1994			CONTRACT:			
TOLERANCES ARE: .X ± .015 .XX ± .01 .XXX ± .005 .XXXX ± .0005 ∠ ± .5° 1/X ± 1/32			1720 FIRE PLACE, CONWAY, CA 93033-1863 USA TEL: (909) 487-5383 FAX: (909) 487-5427 www.birns.com			
FINISH:		SURFACE ROUGHNESS ✓ 63		EDGE BREAK		
REMOVE BURRS AND SHARP EDGES		DO NOT SCALE DRAWING				
NEXT ASSY.		USED ON		APPLICATION		
DWG		K. WOOD		DATE		020922
CHK		J. KO		DATE		950921
ENGR		W. WANG		DATE		950918
DR		J. MAGLAQUE		DATE		950921
MFG		E. BIRNS		DATE		951005
SIZE		D 58608		DWG NO.		5567 H
SCALE:		1/1		UNIT WT.:		SHEET 1 OF 4



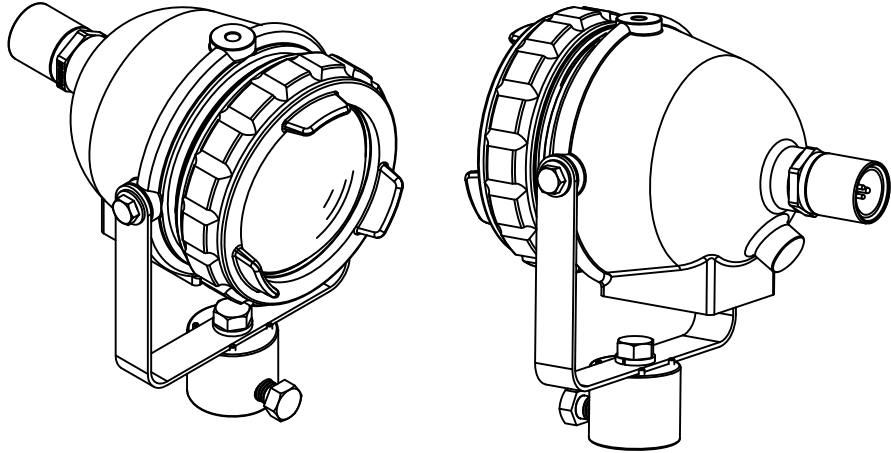
PRODUCTION  
RELEASE



**EXPLODED VIEW (SHOWN WITH STANDARD OPTIONS)**

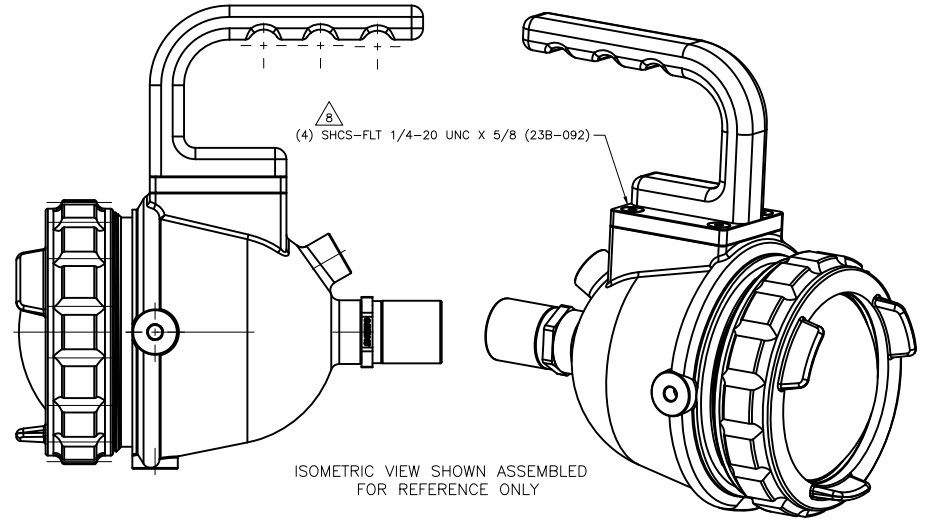
<b>BIRNS</b>		1720 FISKE PLACE, CONRAD, CA 93033-1863 U.S.A.	
		TEL: (909) 487-5383 FAX: (909) 487-9427	
		www.birns.com	
TITLE			
SNOOPER, UNDERWATER LIGHT ASSEMBLY			
SIZE	CAGE CODE	DWG NO.	REV
D	58608	5567	H
SCALE: 1/1 UNIT WT.:			SHEET 3 OF 4

PROG. NO.  
 PRELIMINARY INFORMATION  
 THIS DRAWING IS THE PROPERTY OF BIRNS & PERKINS, INC. AND IS NOT TO BE REPRODUCED OR TRANSMITTED IN ANY FORM OR BY ANY MEANS, ELECTRONIC OR MECHANICAL, INCLUDING PHOTOCOPYING, RECORDING, OR BY ANY INFORMATION STORAGE AND RETRIEVAL SYSTEM, WITHOUT THE WRITTEN PERMISSION OF BIRNS & PERKINS, INC.



ISOMETRIC VIEW SHOWN ASSEMBLED  
 FOR REFERENCE ONLY

**MOUNTING OPTION: YOKE ASSEMBLY, SNOOPER/SNOOPERWIDE (44A-003)**

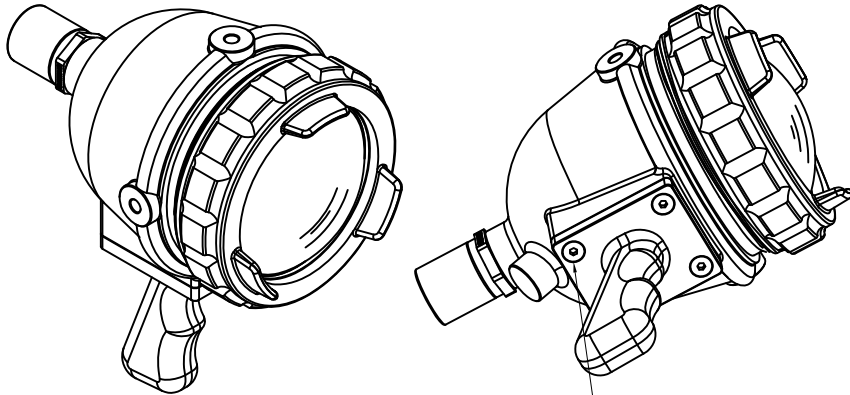


ISOMETRIC VIEW SHOWN ASSEMBLED  
 FOR REFERENCE ONLY

**MOUNTING OPTION: HANDLE, LANTERN (44B-002)**

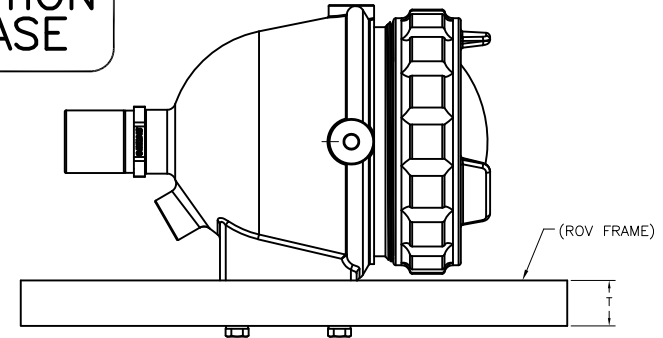
**MOUNTING OPTION: HANDLE, MACH., SNOOPER/BB II (44B-008)**

PRODUCTION  
 RELEASE



ISOMETRIC VIEW SHOWN ASSEMBLED  
 FOR REFERENCE ONLY

(4) SHCS-FLT 1/4-20 UNC X 5/8 (23B-092)



(REQUIRES 4: 1/4-20 UNC X (T+ $\frac{3}{16}$ ) BOLTS & LOCKWASHERS  
 23E-008)

**MOUNTING OPTION: ROV FRAME**

<b>BIRNS</b>		1720 FISKE PLACE, CONCORD, CA 93033-1863 U.S.A.	
		TEL: (909) 487-5383 FAX: (909) 487-9427	
		www.birns.com	
TITLE: SNOOPER, UNDERWATER LIGHT ASSEMBLY			
SIZE: D	CAGE CODE	DRG NO: 5567	REV: H
SCALE: 1/1 UNIT WT.:			SHEET 4 OF 4