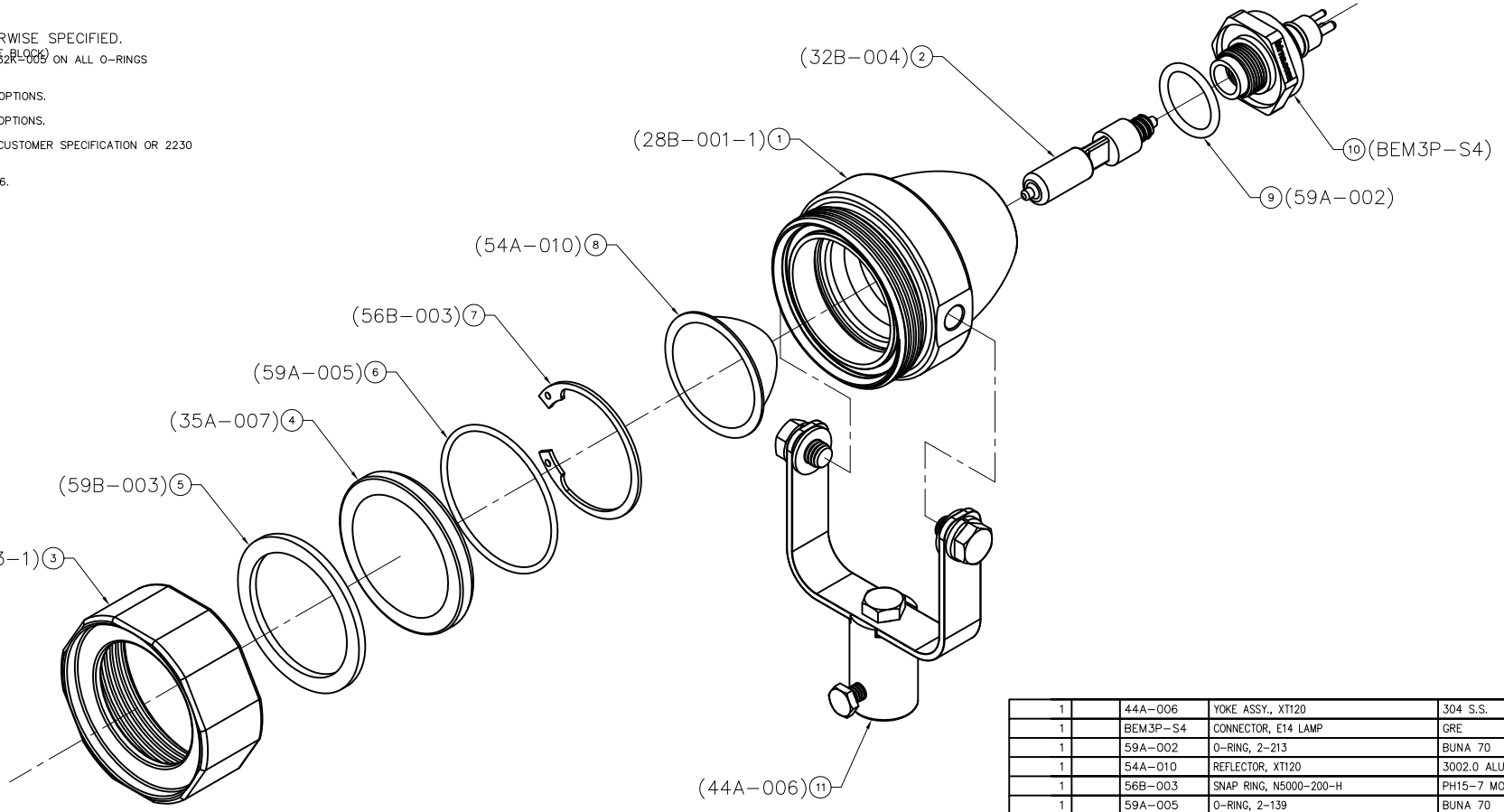


8 7 6 5 4 3 2 1

REVISIONS

ZONE	DRAWN	CHKD	APPR	REV	DESCRIPTION	DATE	ECN

- NOTES: UNLESS OTHERWISE SPECIFIED.
1. APPLY A THIN COAT OF 52K-009 ON ALL O-RINGS (CONT. FROM TITLE BLOCK) PRIOR TO ASSEMBLY.
 2. SEE TABLE 1 FOR LAMP OPTIONS.
 3. SEE TABLE 2 FOR LENS OPTIONS.
 4. PRESSURE RATING: PER CUSTOMER SPECIFICATION OR 2230 PSIG. MAX. (5K FSW).
 5. CABLE ASSEMBLY CEF3S16.



PART NO.	VOLT/WATT
32B-002	120V/100W
32B-003	120V/150W
32B-004	120V/250W
32B-016	240V/100W
32B-015	240V/150W
32B-017	240V/250W

PART NO.	COLOR
35A-007	CLEAR
35A-009	FROST
35A-011	BLUE
35A-012	BLUE FROST
35A-014	RED

TABLE 1

TABLE 2

QUANTITY	CAGE CODE	PART OR IDENTIFYING NO.	NOMENCLATURE OR DESCRIPTION	MATERIAL SPECIFICATION	ZONE	ITEM NO.
1		44A-006	YOKE ASSY., XT120	304 S.S.		11
1		BEM3P-S4	CONNECTOR, E14 LAMP	GRE		10
1		59A-002	O-RING, 2-213	BUNA 70		9
1		54A-010	REFLECTOR, XT120	3002.0 ALUMINUM		8
1		56B-003	SNAP RING, N5000-200-H	PH15-7 MO. S.S.		7
1		59A-005	O-RING, 2-139	BUNA 70		6
1		59B-003	GASKET	SILICONE		5
1		35A-007	LENS, XT120, CLEAR	BOROSILICATE		4
1		56A-003-1	LENS RING, XT120	6061-T6 ALUMINUM		3
1		32B-004	MINICAN LAMP, 120V/250W	QUARTZ		2
1		28B-001-1	HOUSING, XT120	6061-T6 ALUMINUM		1

UNLESS OTHERWISE SPECIFIED DIMENSIONS ARE IN INCHES AND PER ASME Y14.5-1994 TOLERANCES ARE: X ± .015 .XX ± .01 .XXX ± .005 .XXXX ± .0005 Z ± .5 1/X ± 1/32

CONTRACT: DWG K. WOOD 050623 DATE 050623

FINISH: SURFACE ROUGHNESS ✓ 63 EDGE BREAK ENGR ENGR

REMOVE BURRS AND SHARP EDGES 005/015

DO NOT SCALE DRAWING

DA J. MAGLAQUE 050623

MFG E. BIRNS 050624

SCALE: NONE UNIT WT.: SHEET 1 OF 1

EP-0036, REV A 10/09

BIRNS 1720 FISKER PLACE, CORNARO, CA 95033-1863 U.S.A. TEL: (909) 467-5303 FAX: (909) 467-5427 www.birns.com

TITLE: XT120, ALUMINUM, 1500M EXPLODED VIEW

SIZE: D 58608 DWG NO.: 5651-01-201 REV: 1

APPLICATION	USED ON